

Safety Instructions

1, 2, 3, 4, 5, 6, 7, 8, 9, 11,
12, 13, 14, 17, 19, 20, 21,
22, 24, 28, 33, 34,



Info Hotline



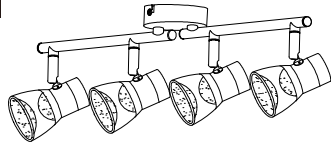
+49 (0) 5041 998 389

Mon. - Do. 7⁰⁰ - 20⁰⁰
Fr. 7⁰⁰ - 17⁰⁰

Paulmann Licht GmbH
Quezinger Feld 2
31832 Springe
Germany

www.paulmann.com

Art.-Nr.:66665
(+MA 326)PUP 05/16



6mm

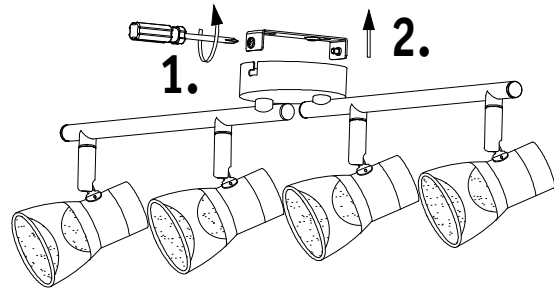


6mm

A

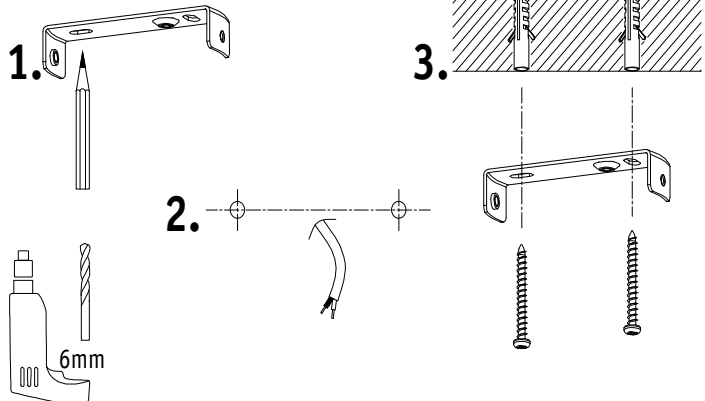


Safety Instructions
Nr.5

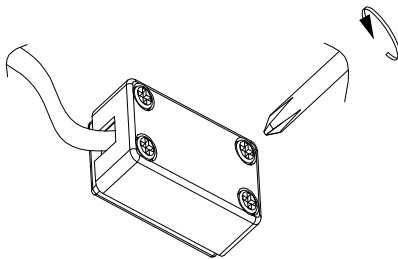


B

Safety Instructions
Nr. 1,2,4,5,7

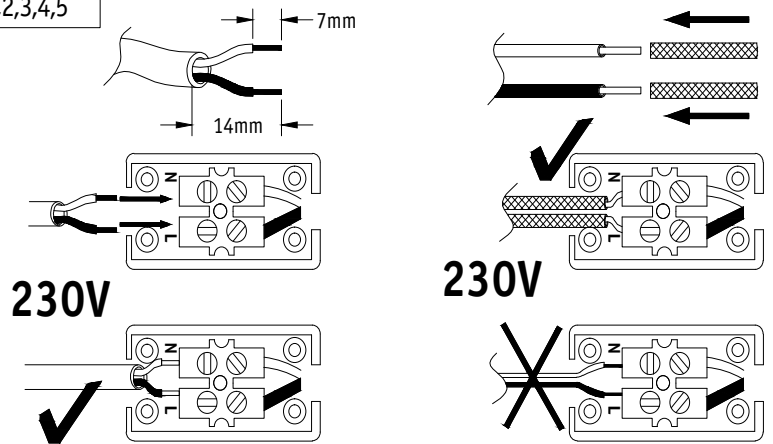


C



D

Safety Instructions
Nr. 1,2,3,4,5



E

